

# RIP



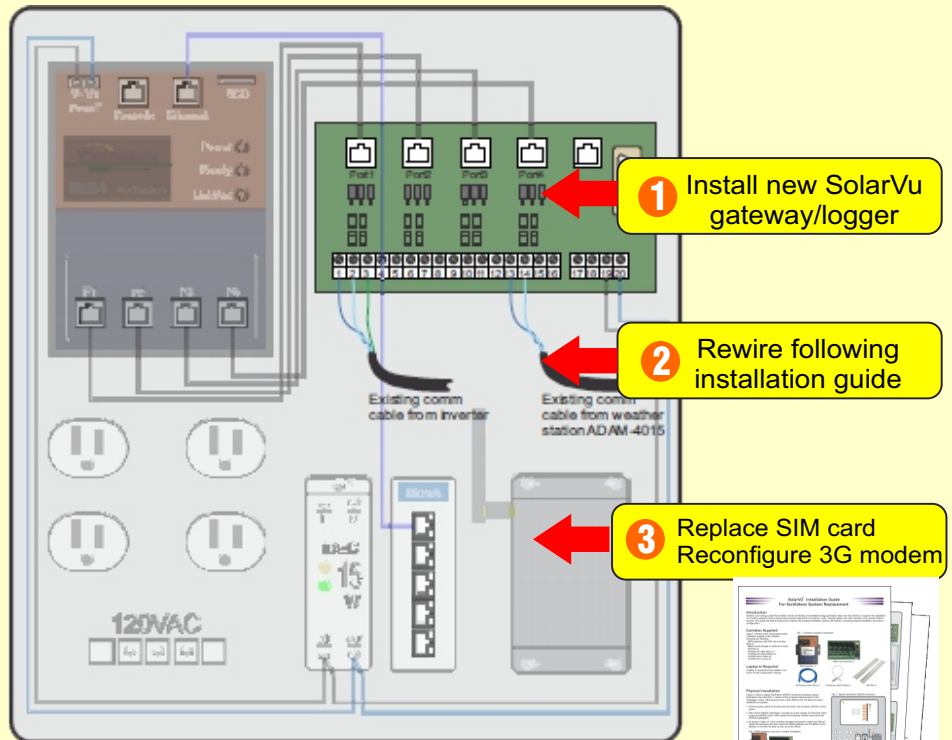
Numerous equipment and monitoring suppliers in the solar industry have discontinued product support leaving solar generation owners with stranded assets. Cachelan has replaced non-working SEEDS monitoring systems with SolarVu. By reusing many of the existing components, costs are reduced and installation is simplified to re-wiring within the original control enclosure. [Contact Cachelan](#) for a cost estimate and plan to replace your legacy monitoring or inverters should support from the original supplier no longer be available. This will ensure early fault detection during the peak summer generation months.

Save equipment and installation cost by keeping existing components.

Rewire enclosure and have SolarVu monitoring working on the same day.

## RE-USE COMPONENTS

- Original SEEDS enclosure
- Weather station
- Revenue grade meter
- Ethernet switch
- Power Supply
- 3G cellular modem



Original Sun Edison SEEDS enclosure

Installation guide included

